

Kirby Morgan Dive Systems, Inc.®

425 Garden Street, Santa Barbara, California 93101

Phone: 805/965-8538 Fax: 805/966-5761

www.kmdsi.com Email: info @KMDSI.com



CHANGE TO PRODUCT Bulletin No. 1 of 2002 January 8, 2002

Subject: Product change to DCS-2A Dive Control System Part#s 400-020, 400-021, 400-018, 400-019

KMDSI has recently implemented two upgrades to the DCS-2A Dive Control System.

1. A change in the low and high pressure gauges. The new gauges (part # 440-150 L.P. and 440-155 H.P.) are no longer oil filled and they mount with a different type of mounting bracket part # 445-020). The older gauges are no longer available. ***Replacement gauges do not come with brackets which must be ordered separately.***

New Gauge	Old Gauge
440-150 300 psi gauge replaces the 440-130 300 psi gauge	
440-155 5000 psi gauge replaces the 440-135 5000 psi gauge	
1 each p/n 445-020 mount bracket must be ordered with each new gauge	

2. A change to the H.P. plumbing in the interior of the DCS (see drawing on the following page). The street elbow (old version, location # 34, part # 455-038) and the H.P. Connector (old version, location # 33, part # 455-030) have been replaced with a Swagelok elbow assembly (new version, location #33, part # 455-305)

P/N 455-305 assembly replaces P/N 455-038 & 455-030



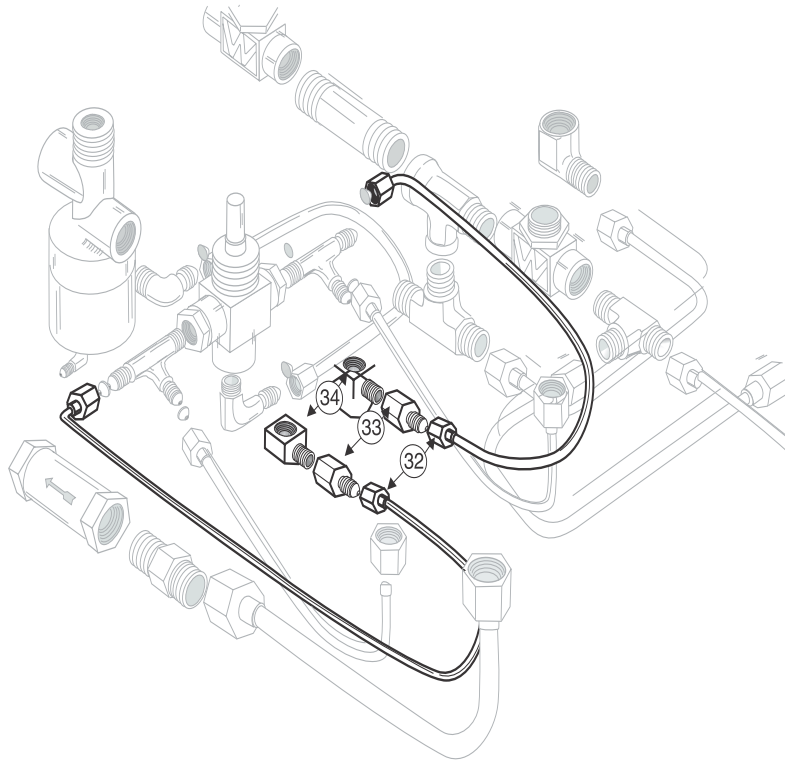


Kirby Morgan Dive Systems, Inc.®

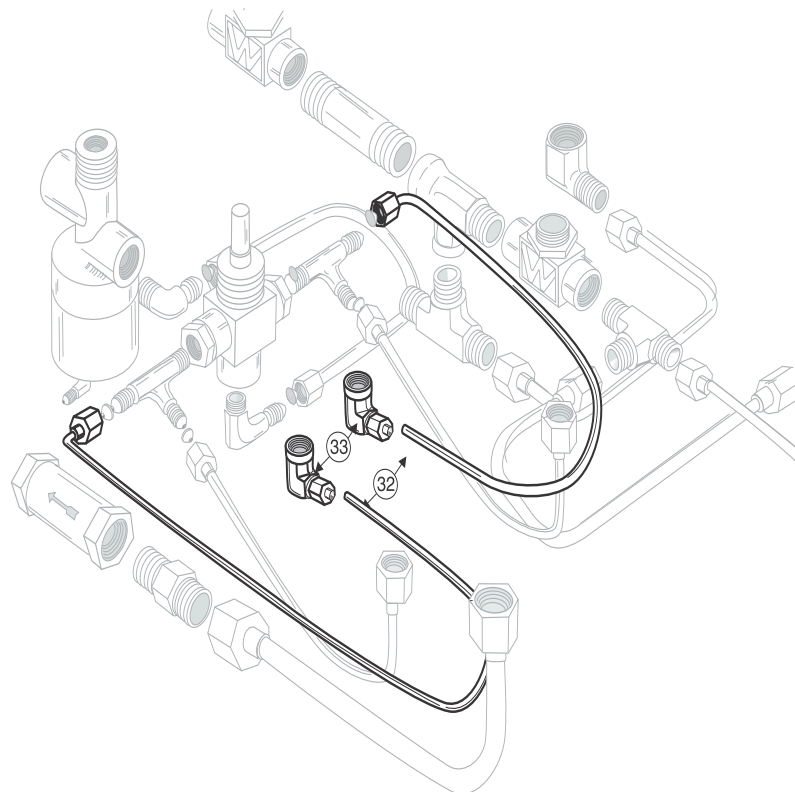
425 Garden Street, Santa Barbara, California 93101

Phone: 805/965-8538 Fax: 805/966-5761

www.kmdsi.com Email: info @KMDSI.com



Old



New